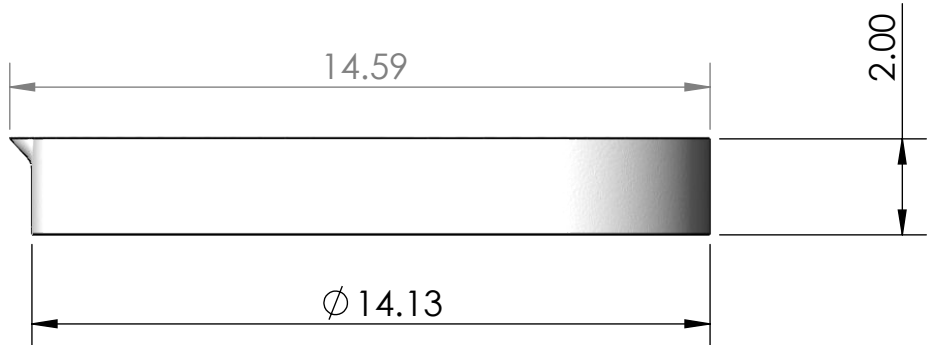
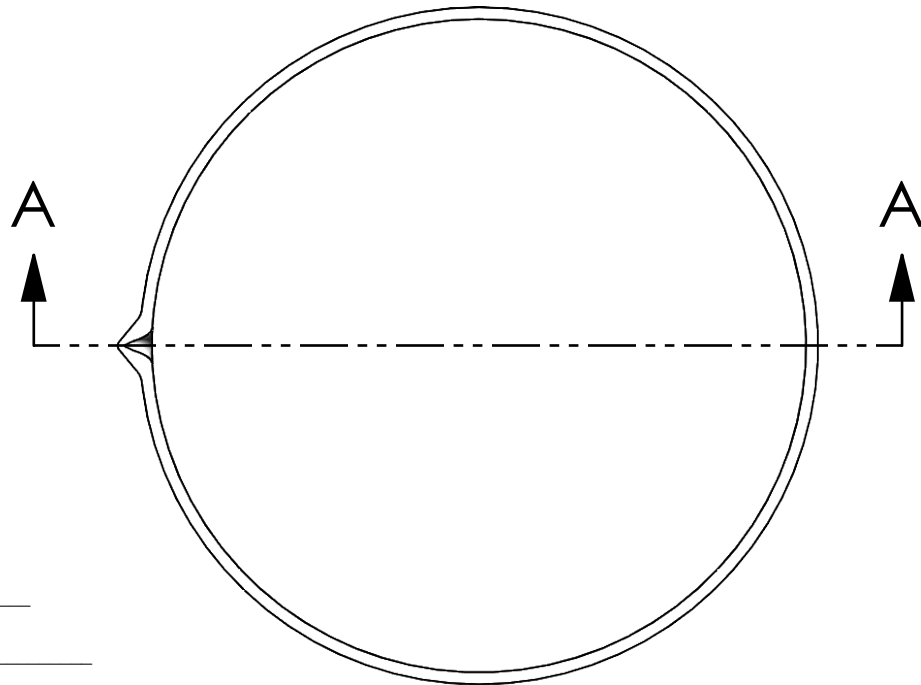


SECTION A-A

SCALE 1 : 4



PRINT APPROVAL

Approved As Is _____

Changes Needed As Noted _____

Company _____

Approved By _____

		DIMENSIONS ARE IN INCHES TOLERANCES: ANGULAR:MACH±. BEND±. TWO PLACE DECIMAL ±. THREE PLACE DECIMAL ±.	NAME	DATE
			DRAWN	JW 03.28.23
			ENG APPR.	
			MFG APPR.	
			Q.A. APPR.	
		MATERIAL	Comments	
		PTFE White		
		FINISH		
NEXT ASSY	USED ON			
APPLICATION		DO NOT SCALE DRAWING		

Evaporation Dish

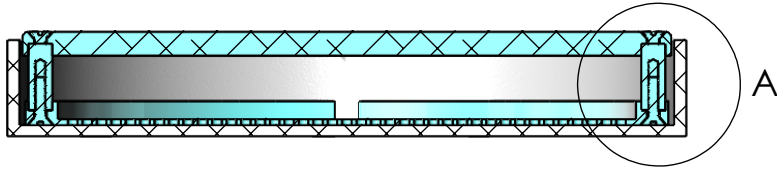


ShapeMaster Inc.

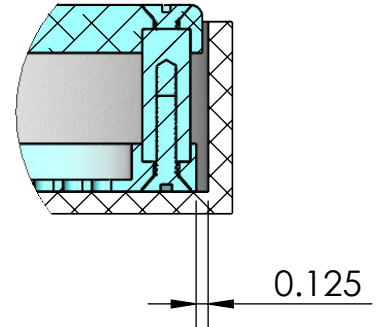
P.O. Box 372
 108 E. Main Street
 Ogden, IL. 61859
 (886) 670-2799

PROPRIETARY AND CONFIDENTIAL
 THE INFORMATION CONTAINED IN THIS DRAWING IS THE SOLE PROPERTY OF SHAPEMASTER INC. ANY REPRODUCTION IN PART OR AS A WHOLE WITHOUT THE WRITTEN PERMISSION OF SHAPEMASTER INC. IS PROHIBITED.

SIZE	PART NO.	REV.
A	SM13.625ED1	A
SCALE:1:5	Customer I.D. L0370	SHEET 1 OF 2

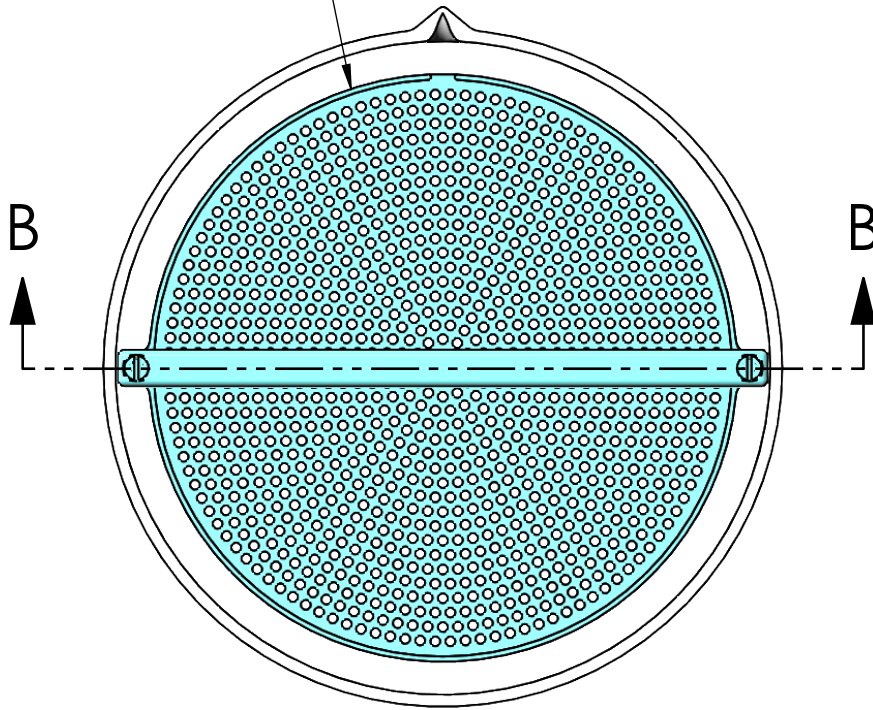


SECTION B-B
SCALE 1 : 4



DETAIL A
SCALE 1 : 2

NOTE:
Wafer Dipper Color for
Illustration Purpose Only



PROPRIETARY AND CONFIDENTIAL
THE INFORMATION CONTAINED IN THIS DRAWING IS THE SOLE PROPERTY OF SHAPEMASTER INC. ANY REPRODUCTION IN PART OR AS A WHOLE WITHOUT THE WRITTEN PERMISSION OF SHAPEMASTER INC. IS PROHIBITED.

		DIMENSIONS ARE IN INCHES TOLERANCES: ANGULAR:MACH±. BEND±. TWO PLACE DECIMAL ±. THREE PLACE DECIMAL ±.
		MATERIAL PTFE White
		FINISH
NEXT ASSY	USED ON	
APPLICATION	DO NOT SCALE DRAWING	

	NAME	DATE
DRAWN	JW	03.28.23
ENG APPR.		
MFG APPR.		
Q.A. APPR.		
Comments		

Evaporation Dish Dipper Fitment



ShapeMaster Inc.
P.O. Box 372
108 E. Main Street
Ogden, IL. 61859
(886) 670-2799

SIZE	PART NO.	REV.
A	SM13.625ED1	A
SCALE:1:5	Customer I.D. L0370	SHEET 2 OF 2