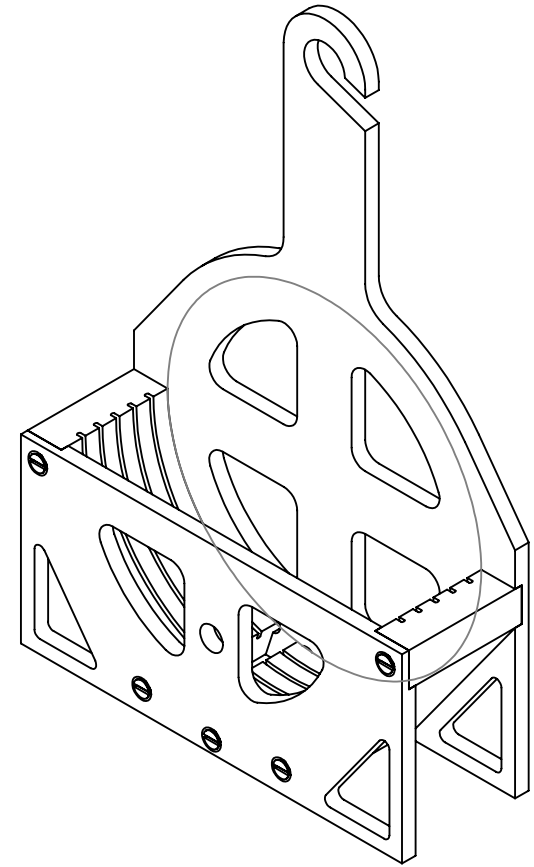
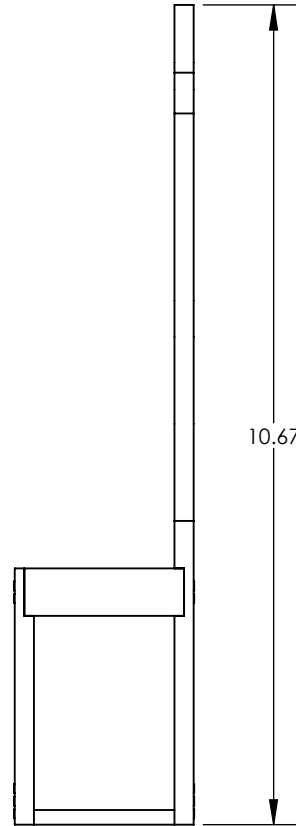


Front View



PROPRIETARY AND CONFIDENTIAL
 THE INFORMATION CONTAINED IN THIS DRAWING IS THE SOLE PROPERTY OF SHAPEMASTER INC. ANY REPRODUCTION IN PART OR AS A WHOLE WITHOUT THE WRITTEN PERMISSION OF SHAPEMASTER INC. IS PROHIBITED.

		UNLESS OTHERWISE SPECIFIED:	NAME	DATE
		DIMENSIONS ARE IN INCHES	DRAWN	AA
		TOLERANCES:	ENG APPR.	6/20/24
		ANGULAR: MACH ±.005	MFG APPR.	
		BEND ±1.0	Q.A. APPR.	
		TWO PLACE DECIMAL ±.01	Comments:	
		THREE PLACE DECIMAL ±.005		
		INTERPRET GEOMETRIC TOLERANCING PER:		
		MATERIAL		
NEXT ASSY	USED ON	FINISH		
APPLICATION		DO NOT SCALE DRAWING		

ShapeMaster Inc.
 P.O. Box 372
 108 E. Main Street
 Ogden, IL. 61859
 (800) 779-6925

SIZE **A** DWG. NO. SM6.5VWD1 REV

SCALE: 1:4 Customer I.D. XXXXXXX SHEET 1 OF 1