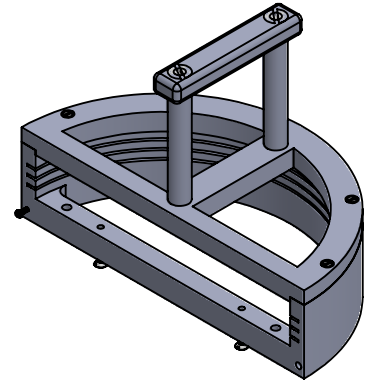


**PRINT APPROVAL**

Approved As Is \_\_\_\_\_  
 Changes Needed As Noted \_\_\_\_\_  
 Company \_\_\_\_\_  
 Approved By \_\_\_\_\_



**PROPRIETARY AND CONFIDENTIAL**  
 THE INFORMATION CONTAINED IN THIS DRAWING IS THE SOLE PROPERTY OF SHAPEMASTER INC. ANY REPRODUCTION IN PART OR AS A WHOLE WITHOUT THE WRITTEN PERMISSION OF SHAPEMASTER INC. IS PROHIBITED.

		UNLESS OTHERWISE SPECIFIED:	NAME	DATE
		DIMENSIONS ARE IN INCHES	DRAWN	
		TOLERANCES:	ENG APPR.	
		ANGULAR: MACH ±.	MFG APPR.	
		BEND ±.	Q.A. APPR.	
		TWO PLACE DECIMAL ±.	Comments:	
		THREE PLACE DECIMAL ±.		
		INTERPRET GEOMETRIC TOLERANCING PER:		
		MATERIAL		
		FINISH		
NEXT ASSY	USED ON	APPLICATION		
		DO NOT SCALE DRAWING		



**ShapeMaster Inc.**

P.O. Box 372  
 108 E. Main Street  
 Ogden, IL. 61859  
 (800) 779-6925

SIZE	PART NO.	REV
<b>A</b>	SM8.3WD2	
SCALE 1:1.5		SHEET 1 OF 1